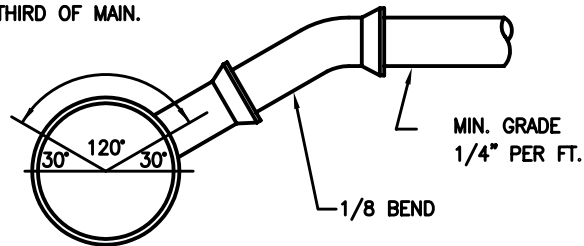
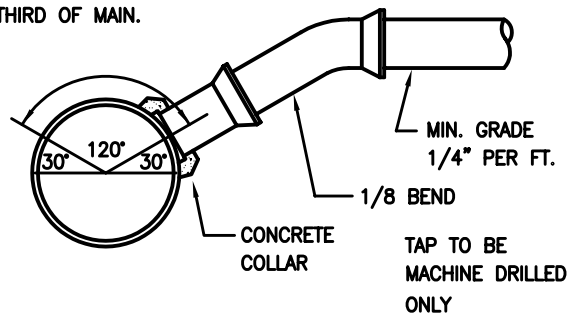


CENTER OF WYE BRANCH
TO BE PLACED IN UPPER
THIRD OF MAIN.



1/8 BEND CONNECTION TO TEE

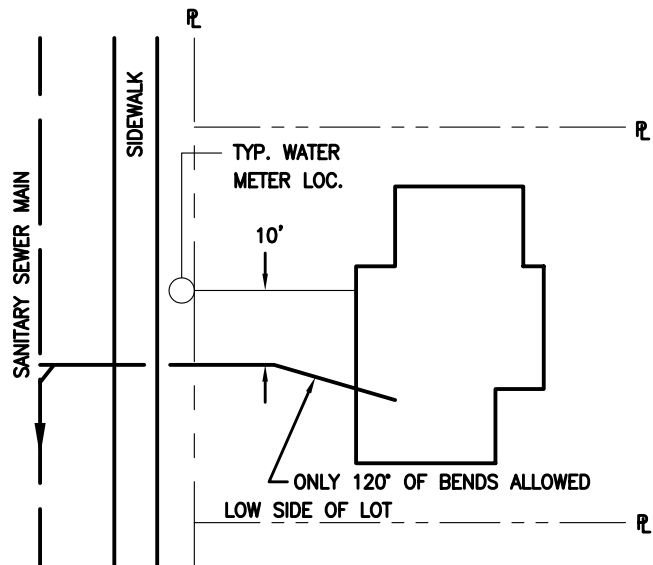
CENTER OF WYE BRANCH
TO BE PLACED IN UPPER
THIRD OF MAIN.



1/8 BEND & SADDLE CONNECTION

NOTES:

1. THE BARREL SECTION SHALL BE SUPPORTED THROUGHOUT ITS LENGTH.
2. SERVICE TAPS SHALL BE IN-LINE WYE OR MACHINE TAPPED. HAND TAPS SHALL NOT BE ALLOWED.
3. THE MIN. SERVICE LINE GRADE SHALL BE 1/4" PER FT.
4. JOINTS SHALL BE WATER TIGHT.
5. WHEN SERVICE STUB-INS ARE INSTALLED WITH THE SEWER MAIN, THEY SHALL BE EXTENDED AT LEAST TO PROPERTY LINE AND SHALL BE PLUGGED WITH A 2x4 MARKER FOR LOCATION OF END.



SEWER SERVICE