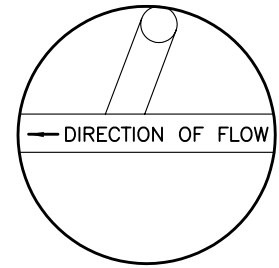
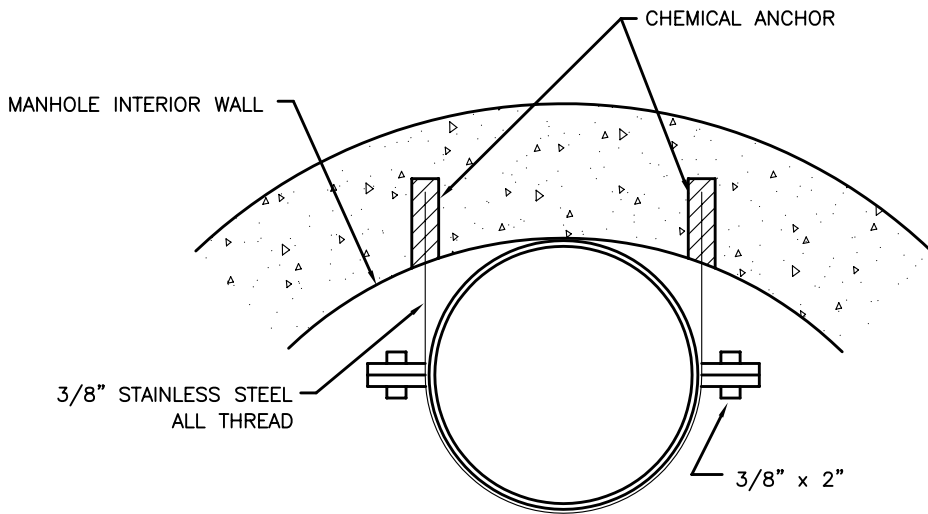


NOTE:  
SEE ACWWA STANDARD  
MANHOLE DETAILS  
FOR ALL MANHOLE SPECIFICS  
INCLUDING BASE DETAILS



SECTION A

BRACKET DETAIL

MANUFACTURE BRACKET FROM 3/8" STAINLESS STEEL.

NOTES:

- MANHOLE SIZE VARIES WITH SIZE OF THE MAINLINE.
- 8" - 10" MAINLINE = 5' DIA. MANHOLE
- 12" - 15" MAINLINE = 6' DIA. MANHOLE
- 7' DIA. MANHOLE FOR LARGER MAINLINES.
- STEPS INSTALLED OVER DOWNSTREAM INVERT OF MANHOLE.