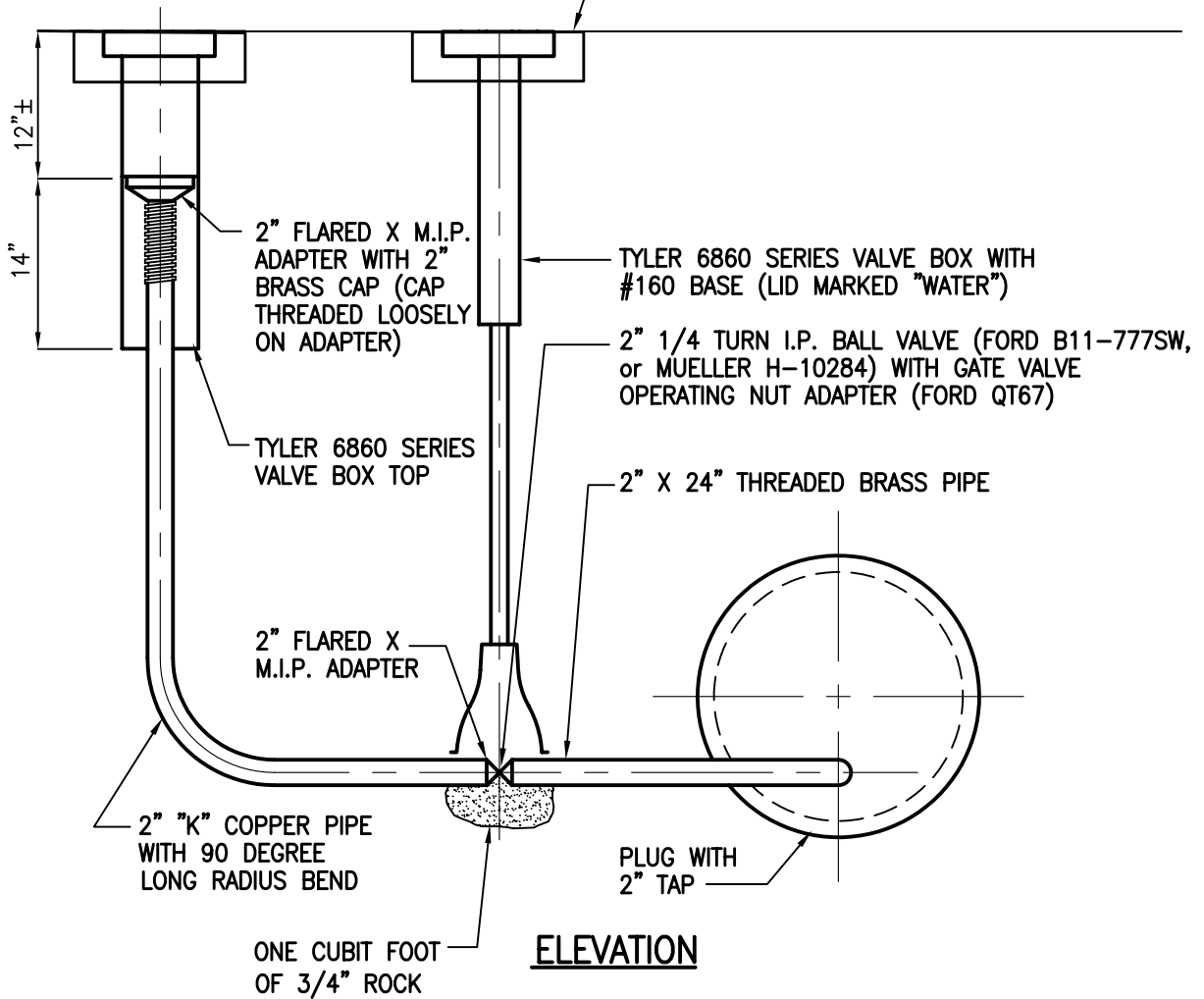


PLAN

18" X 18" X 6" THICK CONCRETE COLLAR WHEN NOT ASPHAT



ELEVATION



13031 E Caley Ave, Centennial, Colorado 80111
 Ph: (303) 790-4830 Fax: (303) 790-1718
 © Copyright 2007 All Rights Reserved

**BLOW-OFF INSTALLATION FOR
 12" & SMALLER PIPE**

REVISION DATE:
 9/7/2005

FIGURE NO.
W-11

SHEET NO.
 1 of 1