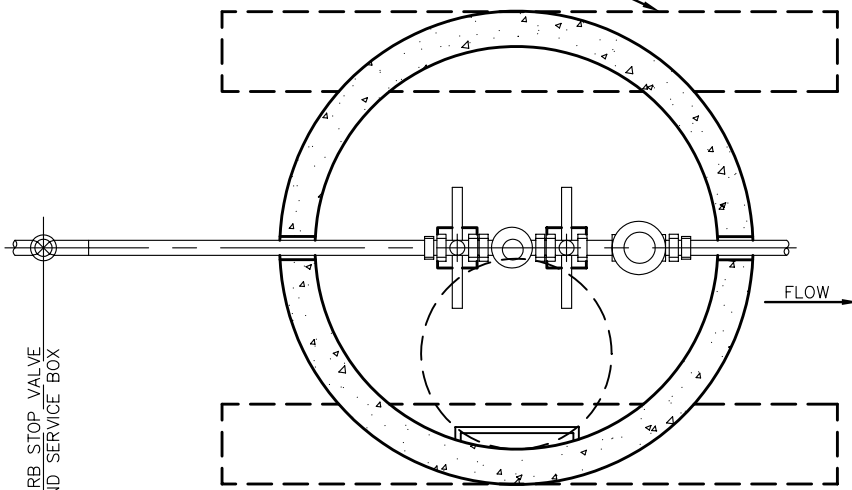
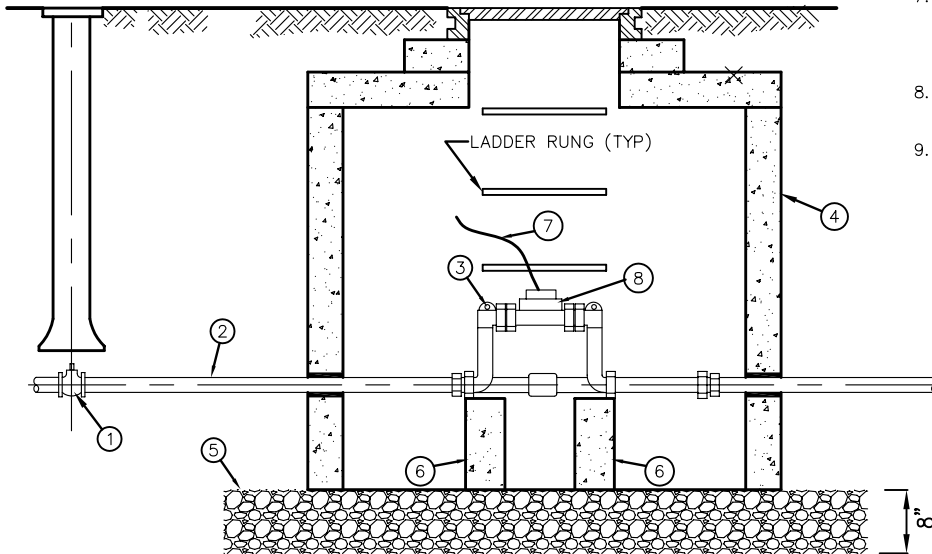


CONC MH BASE BEAMS REQD FOR METER IN STREET OR PARKING AREA



PLAN



ELEVATION

NOTES:

1. METER VAULT SHALL BE INSTALLED IN LANDSCAPED AREA UNLESS APPROVED BY METER INSPECTOR.
2. CURB STOP SHALL BE 24" TO 60" FROM THE INLET SIDE OF THE METER VAULT, IN LANDSCAPED AREA.
3. FOR VAULT INSTALLATIONS IN ROADWAYS AND DRIVEWAYS, WHEN APPROVED, MH BASE BEAMS ARE REQD. METER VAULT MAY NOT BE INSTALLED IN PARKING AREA.
4. NO CONC FLOOR ALLOWED IN METER VAULT.
5. 3/4" CRUSHED ROCK.
6. NO CONNECTIONS OF ANY TYPE, PIPE BENDS, OR CHANGES IN PIPE SIZE ARE PERMITTED BETWEEN THE TAP AND 5 FT BEYOND THE OUTLET SIDE OF THE METER VAULT, EXCEPT AS SHOWN ON THIS DETAIL.
7. DISTANCE BETWEEN RUNGS, CLEATS AND STEPS SHALL NOT EXCEED 12" AND SHALL BE UNIFORM THROUGHOUT THE LENGTH OF THE LADDER.
8. VAULT WALL PENETRATIONS SHALL BE GROUTED WITH CONC.
9. COPPERSETTER OR METER YOKE SHALL BE NO MORE THAN 12" HIGH. COPPERSETTER OR YOKE WITH BYPASS SHALL HAVE LOCKING BYPASS VALVE.

DETAILS:

- ① CURB STOP
- ② TYPE K COPPER TUBING
- ③ COPPERSETTER/METER YOKE WITH BYPASS
- ④ 48" CONC MH WITH FLAT LID
- ⑤ CONC BLOCK SUPPORTS 4" x 4" x 24"
- ⑥ SIGNAL WIRE TO ITRON ert
- ⑦ METER INSTALLED BY ACWWA

| SIZE | FORD CUSTOM SETTER | | MUELLER | |
|--------|--------------------------|-----------------------------------|--------------------------|----------|
| | | CAT. No. | TYPE | CAT. No. |
| 1 1/2" | FLANGED KEY VALVE | V V76-12B-11-66 1" BY-PASS | FLANGED ANGLE METER | H-1423 |
| 1 1/2" | FLANGED ANGLE BALL VALVE | VBB76-12B-11-66 1" BY-PASS | FLANGED BALL ANGLE | H-2423 |
| 2" | FLANGED KEY VALVE | V V77-12B-11-77 1-1/4" BY-PASS | FLANGED ANGLE METER STOP | H-1423 |
| 2" | FLANGED ANGLE BALL VALVE | VBB77-12B-11-77 1-1/4" BY-PASS | FLANGED ANGLE BALL VALVE | H-2423 |



13031 E Caley Ave, Centennial, Colorado 80111
Ph: (303) 790-4830 Fax: (303) 790-1718
© Copyright 2007 All Rights Reserved

**OUTSIDE DOMESTIC METER
1-1/2" & UP**

REVISION DATE:
1/9/2006

FIGURE NO.
W-2

SHEET NO.
1 of 1