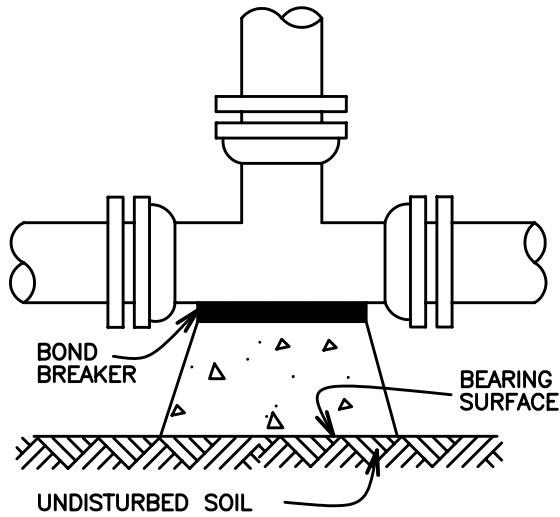
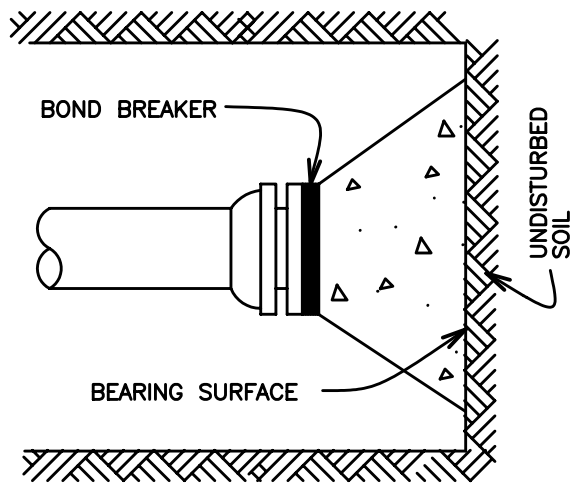


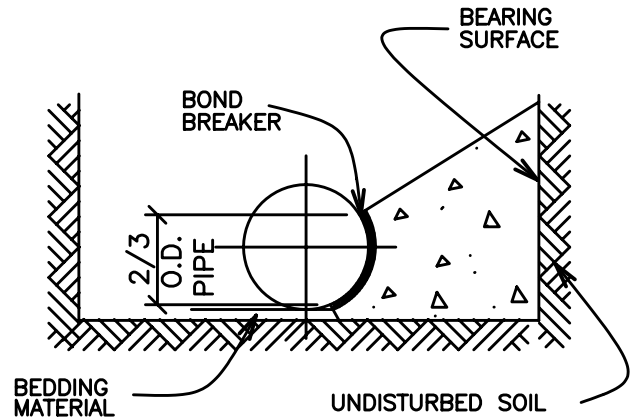
11¼°, 22½°, 45° AND 90° BENDS



TEE



DEAD END



TYPICAL CROSS SECTION

MINIMUM BEARING SURFACE AREA
(IN SQUARE FEET)

SIZE OF PIPE	BENDS				TEE OR DEAD END
	11¼°	22½°	45°	90°	
4"	1.00	1.00	1.00	N.A.	1.50
6"	1.00	1.25	2.25	4.25	3.00
8"	1.00	2.00	4.00	8.00	5.25
12"	2.25	4.50	8.75	12.00	11.25
16"	3.75	7.50	14.50	27.00	19.00
20"	5.00	10.00	19.50	35.50	25.00
24"	7.00	14.00	27.75	51.00	36.00

NOTES:

- 1.) BEARING SURFACES SHOWN IN CHART ARE MINIMUM.
- 2.) BASED ON 150 PSI INTERNAL PIPE PRESSURE PLUS WATER HAMMER.
4",6",8" AND 12" WATER HAMMER = 110 P.S.I.
16",20" AND 24" WATER HAMMER = 70 P.S.I.
- 3.) CONCRETE MUST BE MINIMUM OF 3000 PSI, AND CURE FOR 24 HOURS BEFORE TAMPING OR COMPACTING.
- 4.) BASED ON 3,000 psf SOIL BEARING CAPACITY.
- 5.) NA = NOT APPLICABLE.